

BI-METALLIC CABLE LUGS

SUITABLE FOR ALUMINIUM CONDUCTORS AS PER DIN 46329



Candour Bimetallic lugs are made from high quality Aluminium and Copper with Barrier joined together by friction welding process. Aluminium barrel is filled with non oxide inhibiting compound and sealed with cap. Palm is with solid ETP copper

TECHNICAL DATA

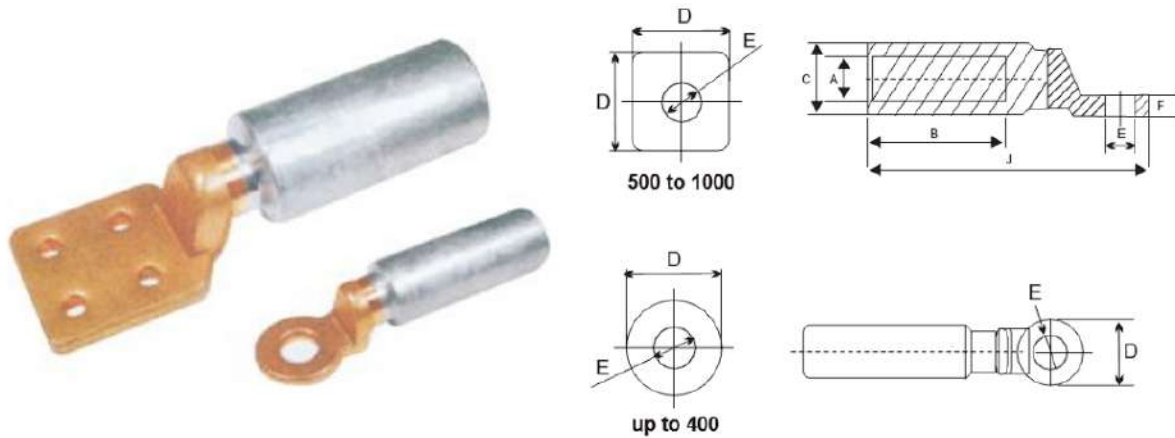
Aluminium - 99.5% Pure

Copper - ETP grade AI conductivity - 60%IACS Jointing Method - Friction Welding

Cu.Conductivity - 97% IACS Operating Temperature - 40oto 100 o c

Application

Industrial application for Transition joints High/Low Voltage. Switch gears and grounding systems.

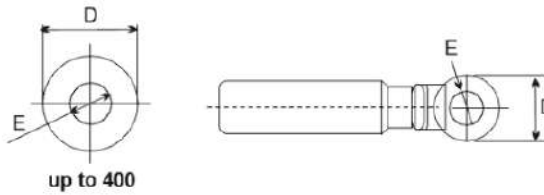
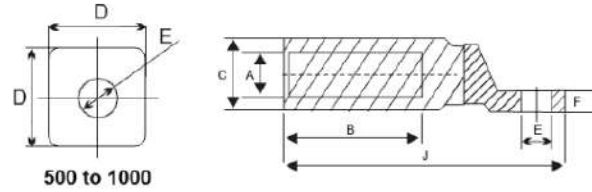


CABLE SIZE MM2	STUD HOLE (E)	A	C	D	B	J	F	PART NO.	CANDOUR ITEM CODE
16	8.5	6	12	21	43	85	4	CI-BL16/8	62400000
	10.5							CI-BL16/10	62400001
25	8.5	6.8	16	21	43	85	4	CI-BL25/8	62400002
	10.5							CI-BL25/10	62400003
	13							CI-BL25/12	62400004
35	8.5	8	16	21	43	85	4	CI-BL35/8	62400005
	10.5							CI-BL35/10	62400006
	13							CI-BL35/12	62400007
50	8.5	9.8	20	25	43	90	5	CI-BL50/8	62400008
	10.5							CI-BL50/10	62400009
	13							CI-BL50/12	62400010
70	10.5	11.2	20	25	43	90	5	CI-BL70/10	62400011
	13							CI-BL70/12	62400012
95	10.5	13.2	22	25	56	100	5	CI-BL95/10	62400013
	13							CI-BL95/12	62400014
	17							CI-BL95/16	62400015
120	13	14.7	22	25	56	100	5	CI-BL120/12	62400016
	17							CI-BL120/16	62400017



BI-METALLIC CABLE LUGS

SUITABLE FOR ALUMINIUM CONDUCTORS AS PER DIN 46329



CABLE SIZE MM2	STUD HOLE (E)	A	C	D	B	J	F	PART NO.	CANDOUR ITEM CODE
150	13	16.3	25	30	60	115	6.0	CI-BL150/12	62400018
	17							CI-BL150/16	62400019
	21							CI-BL150/20	62400020
185	10.5	18.3	30	30	60	115	6.0	CI-BL185/10	62400021
	13							CI-BL185/12	62400022
	17							CI-BL185/16	62400023
	21							CI-BL185/20	62400024
240	13	21	32	35	70	130	7.0	CI-BL240/12	62400025
	17							CI-BL240/16	62400026
	21							CI-BL240/20	62400027
300	13	23.3	34	35	73	146	7.0	CI-BL300/12	62400028
	17							CI-BL300/16	62400029
	21							CI-BL300/20	62400030
400	17	26	38.5	35	73	146	7.0	CI-BL400/16	62400031
500	17	29.1	47	60x60	94	200	10	CI-BL500/16	62400032
630	17	32.5	47	60x60	94	200	10	CI-BL630/16	62400033
800	-	37.5	58	80x80	120	260	10	CI-BL800/BL	62400034
1000	-	42	58	80x80	120	260	10	CI-BL1000/BL	62400035

